

**3M** Science.  
Applied to Life.™

# RECIPE QUALITY WATER

OVER  
**75**  
YEARS

Water Filtration  
Expertise

**FOOD &  
BEVERAGE**



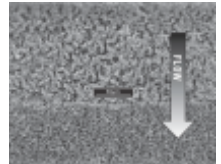
# Water Filtration Technology

With Integrated **M**embrane **P**re-Activated **C**arbon **T**echnology, ("I.M.P.A.C.T.") media for superior throughput and cartridge life, the 3M™ Water Filtration Products High Flow Series of commercial food service products offers simple, effective and easy-to-install solutions that meet the volume, water clarity and maintenance expectations of restaurant owners, chain fast food and convenience store operators, supermarkets, cafeterias, and institutions.

For cold beverages, brewed beverages, ice and specialty beverages, or any combination of applications, 3M Purification has options for you that include cyst and bacteria-reduction, as well as filters specially constructed for higher turbidity waters.

## Two-Zone Membrane

Large particles are captured in the top zone and smaller particles in the bottom zone of the graded density microporous nylon membrane, providing superior cartridge sediment-holding capacity.

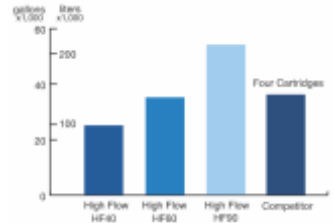


## Chlorine Capacities

The high chlorine taste and odor reduction capacities\* for High flow cartridge filters with **I**ntegrated **M**embrane **P**re-Activated **C**arbon **T**echnology ("I.M.P.A.C.T.") allows a single cartridge to out perform a four-cartridge competitive system\*\*

\* at an average of 96+% reduction

\*\* 4 Competitor cartridges each with 9,000 Gal. (34,000 Lit.) chlorine capacity



## 3M™ High Flow Series Cartridge Cutaway



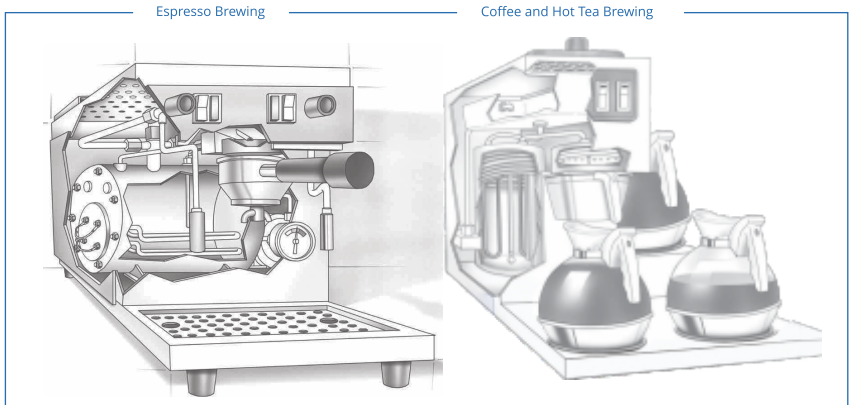
- ❶ Polypropylene design.
- ❷ Media with pleated membrane design helps provide cyst and bacteria protection and superior sediment holding capabilities with minimal pressure drop.
- ❸ Carbon block technology has more than four times the chlorine taste and odor reduction capacity of most competitive pre-coat filters. Bacteriostatic and bacteria inhibition agent included for improved hygiene.
- ❹ Pleated membrane media has six (6) times the surface area of competitor.
- ❺ Cartridges feature a 5 micron pre-filter wrap.

# Coffee, Tea And Espresso BREW SERIES

Designed to provide consistent quality hot beverages and reduce unscheduled service calls associated with chlorine taste and odor, and scale build up in commercial coffee and tea brewers.



- Consistent great tasting brewed coffee and tea from water with reduced sediment and chlorine taste and odor, cyst\*, and scale\*\*.
- Better equipment protection from reduced sediment particles that can clog the spray head.
- Reduces scale build-up and equipment down time.
- Sanitary Quick Change (SQC) encapsulated cartridge design reduces media contamination during change-outs.
- Tested and verified by manufacturer’s laboratory to Standard 53 for cyst reduction.
- NSF Certified.
- FDA CRF-21 compliant materials.



Dedicated system design and technology maintains beverage clarity, consistency and full flavor along with efficient brewing machine operations.

## Removal Capability

Main Connecting	Dirt Rust Sediment	Chlorine	Taste & Odor	Protozoa Cysts	Scale
3/8" Connecting	✓	✓	✓	✓ 99.90% removal	✓

\*Based on the use of cryptosporidium parvum oocysts.

\*\*As tested and verified by manufacturer’s laboratory.

# Ice Water Filtration System

## ICE SERIES

Designed to reduce unscheduled service calls associated with corrosion, sediment and scale build-up in commercial cubers and flakers.



- Provides consistent quality water for commercial ice machines and commercial steam tables by reducing sediment, chlorine taste and odor and scale\*.
- Enhances water clarity for visually appealing iced beverages.
- Protects equipment from sediment\*, chlorine and scale\*.
- Reduces chlorine and corrosion potential and helps extend equipment life.
- Reduces calcium and magnesium formation as hard scale\* for reduced downtime and unscheduled maintenance
- Sanitary Quick Change (SQC) encapsulated cartridge design allows for fast and easy change-outs
- Integrated Membrane Pre-Activated Carbon Technology ("I.M.P.A.C.T.") provides superior cartridge life.



3M™ Water Filtration Products provide built-in scale inhibition as well as chlorine taste and odor and sediment reduction. Reduced service calls and reduced downtime help increase bottom line profitability.

## Removal Capability

Main Connecting	Dirt Rust Sediment	Chlorine	Taste & Odor	Protozoa Cysts	Bacteria	Scale
1/2" Connecting	✓	✓	✓	✓ 99.90% removal	✓ 99.99% removal	✓

\*Tested and verified by manufacturer's laboratory.

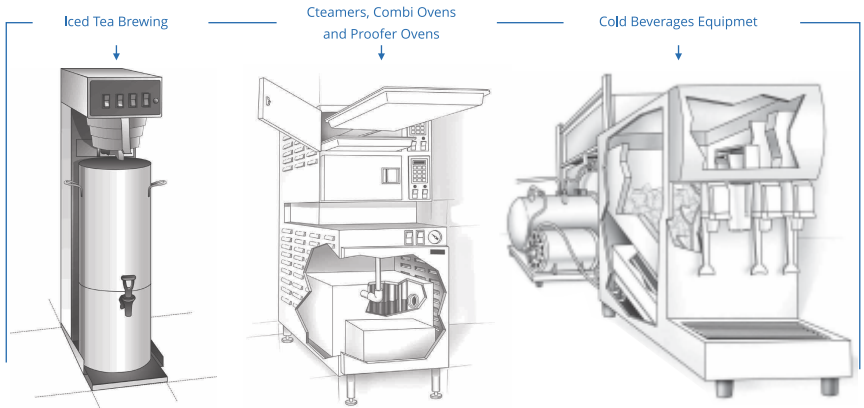
# Cold Beverage Water Filtration System

## BEV SERIES



Designed to provide consistent quality carbonated and non-carbonated beverages and reduce unscheduled service calls in post mix systems.

- Provides consistent high quality water.
- Reduces particulate\*, chlorine taste and odor, cyst\*\*, and bacteria<sup>1</sup> from incoming water.
- Integrated Membrane Pre-Activated Carbon Technology (“I.M.P.A.C.T.”) filtration media combines a membrane with a premium activated carbon block to help provide excellent throughput and cartridge life.
- Sanitary Quick Change (SQC) encapsulated cartridge design allows for fast and easy cartridge change-outs without the need for a filter wrench.
- Features external shut-off valve.
- For use in carbonator and cold beverage dispensers up to 5 gpm (18.9 lpm) demand flow rate.



3M™ Water Filtration Products for Beverages reduce sediment, chlorine taste and odor. Great-tasting beverages may lead to repeat business and added drink sales.

## Removal Capability

Main Connecting	Dirt Rust Sediment	Chlorine	Taste & Odor	Protozoa Cysts	Bacteria
1/2" Connecting	✓	✓	✓	✓	✓ 99.99% removal

\*As tested and verified by manufacturer's laboratory.

\*\*Based on the use of cryptosporidium parvum oocysts.

<sup>1</sup>As tested with E. Coli ATCC (11229). Tested and verified by manufacturer's laboratory.

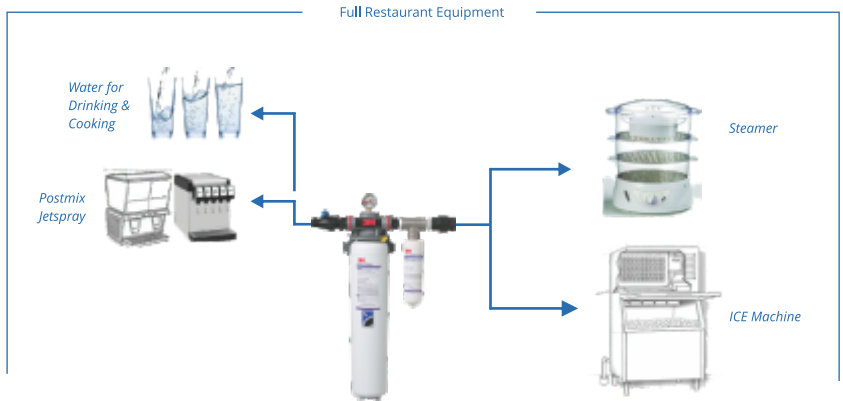
# Multi-Equipment/Combinations

## DP SERIES

Central systems designed to provide appropriate water quality to multiple pieces of equipment that require different water characteristics.



- Included cartridges provide consistent high-quality water.
- Cartridges reduce particulate, chlorine taste and odor, cyst\*\*, and bacteria<sup>1</sup> from incoming water.
- Built-in scale inhibition can help to prevent the potentially harmful effects of scale build-up on equipment.
- Integrated Membrane Pre- Activated Carbon Technology ("I.M.P.A.C.T.") filtration media combines a membrane with a premium activated carbon block to help provide excellent throughput and cartridge life.
- Sanitary Quick Change (SQC) encapsulated cartridge design allows for fast and easy cartridge change-outs without the need for a filter wrench.
- Package includes one (1) HF90 cartridge and one (1) HF8-S cartridge.



Dual Port and Dual Flow Systems are engineered for high flow rates and high capacities to supply the benefits of individual equipment filtration in a single compact package.

## Removal Capability

Main Connecting	Dirt Rust Sediment	Chlorine	Taste & Odor	Protozoa Cysts	Bacteria	Scale
3/4" Connecting	✓	✓	✓	✓	99.99% removal ✓	✓

\*\*Based on the use of cryptosporidium parvum oocysts. <sup>1</sup>As tested with E. Coli ATCC (11229). Tested and verified by manufacturer's laboratory.

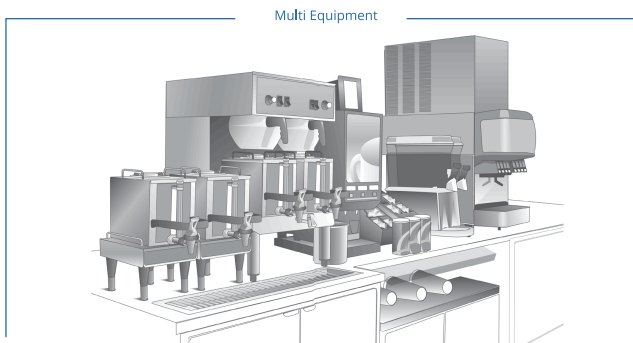
# Scale Reduction for Coffee, Vending Steamers, and other applications

## ScaleGard



A disposable scale control system designed to protect coffee and vending equipment from scale build up.

- Consistent great tasting espresso and espresso drinks from water with reduced hardness, alkalinity, TDS and chlorine taste and odor.
- Increased lifetime and capacity from a built-in bypass that allows 25% of inlet water to pass through untreated.
- NSF and/or FDA CFR-21 compliant materials.
- Reduced hard scale formation on the heating coils by the reduction of calcium and magnesium ions results in improved energy efficiency and reduced downtime and expensive service calls.
- Valve-in-head design simultaneously shuts off and vents water, allowing for simple and virtually trouble-free cartridge change-outs without the need to shut off the upstream feed water.
- Sanitary Quick Change (SQC) encapsulated cartridge design allows for fast and easy cartridge change-outs with a 1/4 turn.
- 3/8" FNPT horizontal inlet and outlet ports allow direct or easily adaptable connections to existing plumbing lines.
- Optional pressure gauge allows monitoring of downstream water pressure.



3M™ ScaleGard® provides online softened water which keeps coffee , vending , steamers & other equipments safe from scale.

## Removal Capability

Main Connecting	Hardness	Chlorine	Taste & Odor	Protozoa Cysts	Bacteria	Scale	Alkalinity	TDS
3/8" Connecting	✓	✓	✓	✓	✓ 99.99% removal	✓	✓	✓

# Cleaner, Clearer and better tasting water for you and your family.

## 3M Separation and Purification Sciences Division

is a trusted expert in filtration with over 75 years of experience for water filtration. Our filtration technology has been proven in the most demanding & challenging applications which includes pharmaceutical laboratories, manufacturing facilities and restaurant chains.



**3M Purification Inc.**  
400 Research Parkway  
Meriden, CT 06450, U.S.A.  
Tel (800) 222-7880 (203) 237-5541  
Fax (203) 238-8701  
[www.3mpurification.com](http://www.3mpurification.com)

**Separation and Purification Sciences Division  
3M Thailand Limited**  
12th Floor, Serm-Mit Tower  
159 Asoke-Montri Road  
Klongtoey Nua, Wattana, Bangkok 10110  
0-2260-8577 Fax 0-2261-7535  
[www.3m.com/th](http://www.3m.com/th), [www.facebook.com/3Mthailand](https://www.facebook.com/3Mthailand)



### **SIGMA TECHNOLOGIES PVT LTD**

Prasuti Griha Marg, Thapathali, Kathmandu, Nepal  
Tel: +977 1 4262184, Fax: +977 1 4258634  
Showroom: +977 1 2291401  
Mobile: 9809183636, 9801113668  
Email: [info@3mwaternepal.com](mailto:info@3mwaternepal.com)

**URL: [fb.com/3mwaternepal](https://fb.com/3mwaternepal), [www.3mwater.com.np](http://www.3mwater.com.np)**